

Service Manual / Manuel de Service



12" Industrial Jointer with Spiral Cutterhead

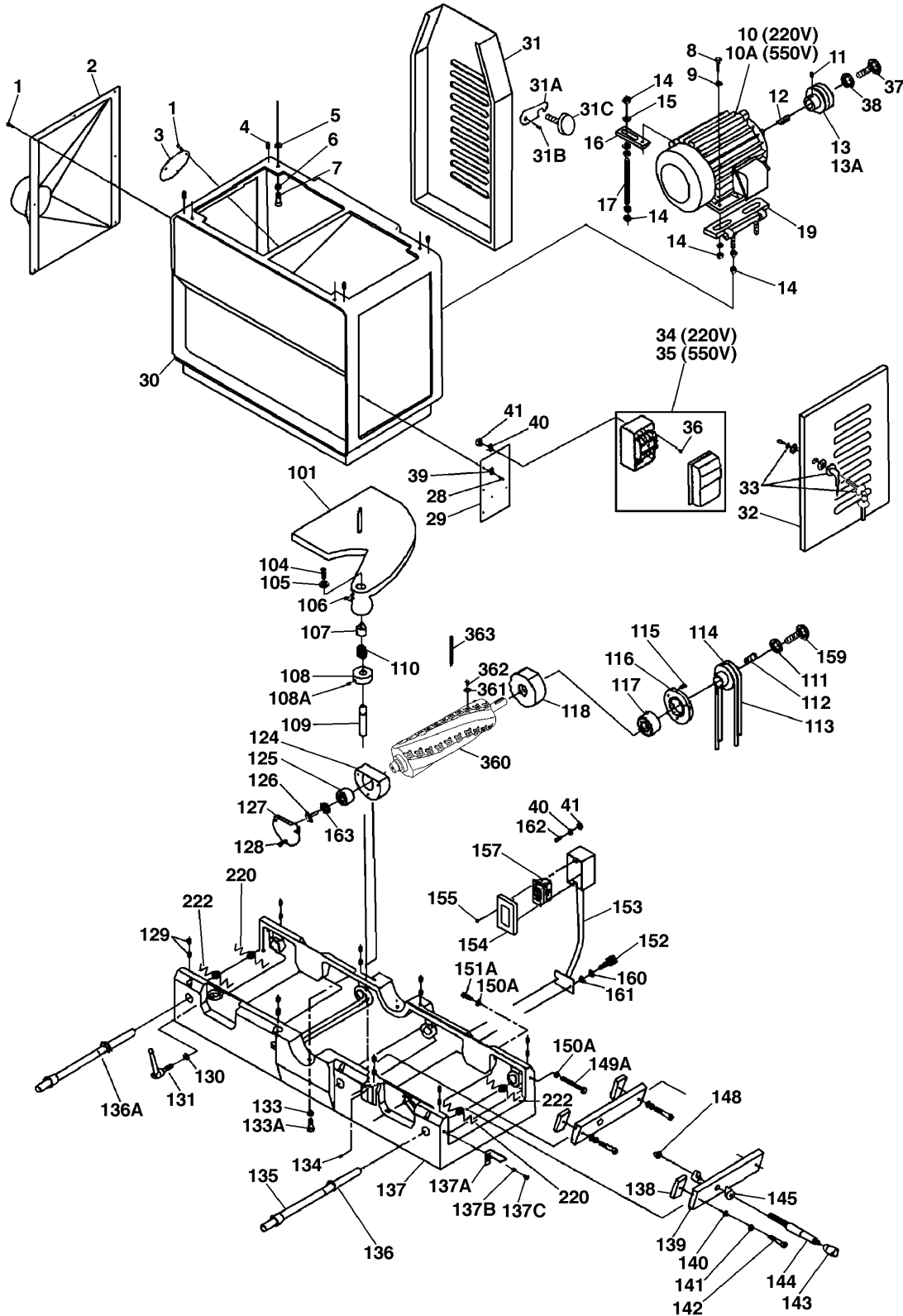


Dégauchisseuse Industrielle avec Tête de Coupe en Spirale 12"

Revised/Revisé 08/2008

Cabinet & Base Diagram / Diagramme du Cabinet et de la Base

KC-125FX(-5)





12" Industrial Jointer
with Spiral Cutterhead

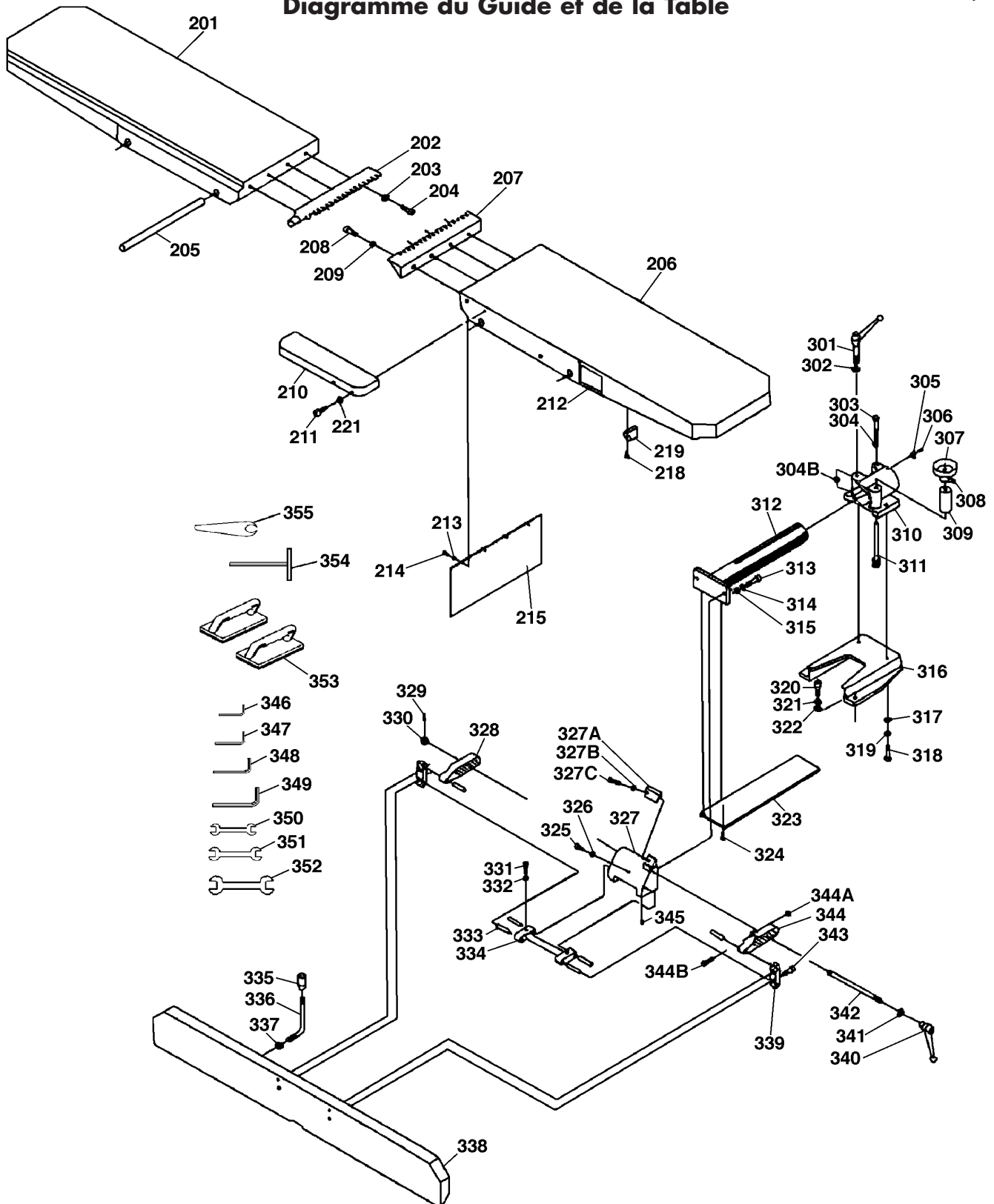


Dégauchisseuse Industrielle
avec Tête de Coupe en Spirale 12"

Revised/Revisé 08/2008

Fence & Table Diagram /
Diagramme du Guide et de la Table

KC-125FX(-5)





Parts Pricing List / Liste de Prix des Pièces **KC-125FX(-5)**

Diag.	Order # Com.	English Description	Description Française	Qty./Qté.	Price/Prix
1	4501200010	ROUND HD ALLEN SCREW	VIS A TETE RONDE ALLEN	10	\$2.01
2	4501200020	DUST HOOD	SORTIE DE POUSSIERE	1	\$63.19
3	4501200030	DUST CHUTE COVER	COUVERCLE DE LA SORTIE	1	\$6.84
4	4501200040	SET SCREW	VIS SANS TETE	4	\$2.24
5	4501200050	RUBBER WASHER	RONDELLE EN CAOUTCHOUC	4	\$2.59
6	4501200060	SPRING WASHER	RONDELLE A RESSORT	4	\$1.55
7	4501200070	CAP SCREW	BOULON A TETE CYLINDRIQUE	4	\$1.96
8	4501200080	HEX. BOLT	BOULON HEXAGONAL	3	\$2.19
9	4501200090	FLAT WASHER	RONDELLE	6	\$1.67
10	4501200100	MOTOR (220V)	MOTEUR (220V)	1	\$458.85
10A	4501200101	MOTOR (550V)	MOTEUR (550V)	1	\$458.85
11	4501200110	SET SCREW	VIS SANS TETE	2	\$2.01
12	4501200120	KEY	CLE DE RETENUE	1	\$2.13
13	4501200130	MOTOR PULLEY (220V)	POULIE DU MOTEUR (220V)	1	\$68.94
13A	4501200131	MOTOR PULLEY (500V)	POULIE DU MOTEUR (550V)	1	\$66.64
14	4501200140	HEX. NUT	ECROU HEXAGONAL	8	\$1.78
15	4501200150	FLAT WASHER	RONDELLE	2	\$2.13
16	4501200160	TENSION PLATE	PLAQUE DE TENSION	1	\$13.63
17	4501200170	TENSION ROD	TIGE DE TENSION	1	\$6.27
19	4501200190	MOTOR BRACKET	SUPPORT DU MOTEUR	1	\$28.46
28	4501200280	CAP SCREW	BOULON A TETE CYLINDRIQUE	3	\$1.67
29	4501200290	SWITCH PLATE	PLAQUE DE L'INTERRUPTEUR	1	\$10.18
30	4501200300	CABINET	CABINET	1	\$626.75
31	4501200310	PULLEY COVER	COUVERCLE DES POULIES	1	\$91.94
31A	4501200311	LATCH	LOQUET	1	\$4.54
31B	4501200312	SPECIAL BOLT	BOULON SPECIAL	1	\$2.93
31C	4501200313	KNOB	BOUTON	1	\$4.43
32	4501200320	ACCESS DOOR	PORTE D'ACCES	1	\$62.96
33	4501200330	HANDLE ASSEMBLY (WITH KEYS)	POIGNEE ASSEMBLE (AVEC CLES)	1	\$17.19
34	4501200340	MAGNETIC SWITCH (220V)	INTERR. MAGNETIQUE (220V)	1	\$172.44
35	4501200350	MAGNETIC SWITCH (550V)	INTERR. MAGNETIQUE (550V)	1	\$218.44
36	4501200360	PAN HD SCREW	VIS A TETE BOMBEE	2	\$1.73
37	4501200370	HEX. BOLT	BOULON HEXAGONAL SPECIAL	1	\$1.84
38	4501200380	WASHER	RONDELLE	1	\$2.36
39	4501200390	WASHER	RONDELLE	3	\$1.55
40	4501200400	STAR WASHER	RONDELLE ETOILEE	3	\$1.67
41	4501200410	HEX. NUT	ECROU HEXAGONAL	3	\$1.55
101	4501201010	CUTTERHEAD GUARD	GARDE DE LA TETE DE COUPE	1	\$171.35
104	4501201040	COUNTERSUNK HD SCREW	VIS A TETE FRAISEE	1	\$1.67
105	4501201050	SPECIAL WASHER	RONDELLE SPECIALE	1	\$2.59
106	4501201060	SET SCREW	VIS SANS TETE	2	\$1.61
107	4501201070	ADAPTER	ADAPTATEUR	1	\$4.54
108	4501201080	SHAFT COLLAR	COLLET DE LA TIGE	1	\$10.29
108A	4501201081	SET SCREW	VIS SANS TETE	1	\$1.61
109	4501201090	SHAFT	TIGE	1	\$11.44
110	4501201100	SPRING	RESSORT	1	\$4.20
111	4501201110	WASHER	RONDELLE	1	\$2.36

Pricing subject to change without prior notice. / Prix sujet à changement sans préavis.



Parts Pricing List / Liste de Prix des Pièces **KC-125FX(-5)**

Diag.	Order # Com.	English Description	Description Française	Qty./Qté.	Price/Prix
112	4501201120	SPECIAL KEY	CLE DE RETENUE SPECIALE	1	\$3.97
113	4501201130	V-BELT	COURROIE EN "V"	2	\$15.81
114	4501201140	PULLEY	POULIE	1	\$40.08
115	4501201150	CAP SCREW	BOULON A TETE CYLINDRIQUE	3	\$2.47
116	4501201160	BEARING COVER	COUVERCLE DU ROULEMENT	1	\$9.83
117	4501201170	BALL BEARING	ROULEMENT A BILLES	2	\$22.94
118	4501201180	BEARING SUPPORT	SUPPORT DU ROULEMENT	1	\$32.14
124	4501201240	BEARING SUPPORT	SUPPORT DU ROULEMENT	1	\$30.99
125	4501201250	BALL BEARING	ROULEMENT A BILLES	2	\$17.19
126	4501201260	SPECIAL HEX. BOLT	BOULON HEXAGONAL SPECIAL	1	\$3.05
127	4501201270	BEARING COVER	COUVERCLE DU ROULEMENT	1	\$9.14
128	4501201280	CAP SCREW	BOULON A TETE CYLINDRIQUE	3	\$2.47
129	4501201290	SET SCREW	VIS SANS TETE	16	\$1.61
130	4501201300	WASHER	RONDELLE	2	\$1.67
131	4501201310	LOCK HANDLE	POIGNEE DE VERROUILLAGE	2	\$17.08
133	4501201330	SPRING WASHER	RONDELLE A RESSORT	2	\$1.55
133A	4501201331	HEX. BOLT	BOULON HEXAGONAL	2	\$2.01
134	4501201340	SET SCREW	VIS SANS TETE	2	\$1.61
135	4501201350	SHAFT	TIGE	4	\$28.69
136	4501201360	BUSHING	BAGUE	4	\$6.84
136A	4501201361	ECCENTRIC BUSHING	BAGUE EXCENTRIQUE	4	\$8.80
137	4501201370	BASE	BASE	1	\$1,144.25
137A	4501201371	POINTER	INDICATEUR	1	\$5.23
137B	4501201372	WASHER	RONDELLE	1	\$1.67
137C	4501201373	PAN HD SCREW	VIS A TETE BOMBEE	1	\$1.55
138	4501201380	CLAMPING BLOCK	BLOC DE SERRAGE	8	\$6.61
139	4501201390	CLAMPING PLATE	PLAQUE DE LA SERRE	4	\$114.94
140	4501201400	WASHER	RONDELLE	8	\$1.67
141	4501201410	SPRING WASHER	RONDELLE A RESSORT	8	\$1.55
142	4501201420	HEX. BOLT	BOULON HEXAGONAL	8	\$2.24
143	4501201430	LEVER KNOB	BOUTON DU LEVIER	2	\$6.27
144	4501201440	LEVER	LEVIER	2	\$25.24
145	4501201450	SPECIAL COLLAR	COLLET SPECIAL	4	\$10.29
148	4501201480	HEX. NUT	ECROU HEXAGONAL	2	\$1.78
149A	4501201491	HEX. BOLT	BOULON HEXAGONAL	2	\$3.39
150A	4501201501	HEX. NUT	ECROU HEXAGONAL	4	\$1.73
151A	4501201511	SET SCREW	VIS SANS TETE	2	\$3.16
152	4501201520	CAP SCREW	BOULON A TETE CYLINDRIQUE	2	\$1.96
153	4501201530	BRACKET/SWITCH HOUSING	SUPPORT/BOITIER DE L'INTERR.	1	\$51.69
154	4501201540	SWITCH COVER	COUVERCLE DE L'INTERRUPTEUR	1	\$5.58
155	4501201550	TAPPING SCREW	VIS AUTOTARADEUSE	2	\$1.67
157	4501201570	SWITCH	INTERRUPTEUR	1	\$80.44
159	4501201590	SPECIAL HEX. BOLT	BOULON HEXAGONAL SPECIAL	1	\$3.28
160	4501201600	SPRING WASHER	RONDELLE A RESSORT	2	\$1.55
161	4501201610	WASHER	RONDELLE	2	\$1.67
162	4501201620	PAN HD SCREW	VIS A TETE BOMBEE	1	\$1.73
163	4501201630	WASHER	RONDELLE	1	\$1.67

Pricing subject to change without prior notice. / Prix sujet à changement sans préavis.



Parts Pricing List / Liste de Prix des Pièces KC-125FX(-5)

Diag.	Order # Com.	English Description	Description Française	Qty./Qté.	Price/Prix
201	4501202010	OUTFEED TABLE	TABLE DE SORTIE	1	\$861.35
202	4501202020	TABLE LIP (LEFT)	REBORD DE TABLE (DROIT)	1	\$97.69
203	4501202030	SPRING WASHER	RONDELLE A RESSORT	4	\$1.55
204	4501202040	CAP SCREW	BOULON A TETE CYLINDRIQUE	4	\$2.24
205	4501202050	SHAFT	TIGE	4	\$22.94
206	4501202060	INFEED TABLE	TABLE D'ENTREE	1	\$884.35
207	4501202070	TABLE LIP (RIGHT)	REBORD DE TABLE (GAUCHE)	1	\$103.44
208	4501202080	CAP SCREW	BOULON A TETE CYLINDRIQUE	4	\$2.24
209	4501202090	SPRING WASHER	RONDELLE A RESSORT	4	\$1.55
210	4501202100	RABBETING ARM	BRAS DE FEUILLURE	1	\$114.94
211	4501202110	CAP SCREW	BOULON A TETE CYLINDRIQUE	2	\$1.96
212	4501202120	DEPTH SCALE	ECELLE DE PROFONDEUR	1	\$3.74
213	4501202130	WASHER	RONDELLE	4	\$2.47
214	4501202140	HEX. BOLT	BOULON HEXAGONAL	4	\$1.55
215	4501202150	DUST DEFLECTOR	DEFLECTEUR DE POUSSIERE	1	\$13.74
218	4501202180	CAP SCREW	BOULON A TETE CYLINDRIQUE	2	\$1.67
219	4501202190	STOP BLOCK	BLOC D'ARRET	2	\$10.29
220	4501202200	LEFT SPIRAL SPRING	RESSORT A SPIRALES GAUCHE	2	\$7.53
221	4501202210	WASHER	RONDELLE	2	\$1.67
222	4501202220	RIGHT SPIRAL SPRING	RESSORT A SPIRALES DROITES	2	\$7.53
301	4501203010	LOCK HANDLE	POIGNEE DE VERROUILLAGE	1	\$17.19
302	4501203020	WASHER	RONDELLE	1	\$2.13
303	4501203030	HEX. BOLT	BOULON HEXAGONAL	1	\$2.59
304	4501203040	WASHER	RONDELLE	1	\$1.67
304B	4501203042	HEX. NUT	ECROU HEXAGONAL	1	\$1.73
305	4501203050	KEY	CLE DE RETENUE	1	\$3.05
306	4501203060	CAP SCREW	BOULON A TETE CYLINDRIQUE	1	\$2.01
307	4501203070	HANDWHEEL	MANIVELLE	1	\$20.64
308	4501203080	SET SCREW	VIS SANS TETE	1	\$1.61
309	4501203090	SPACER	ESPACEUR	1	\$11.21
310	4501203100	RACK BRACKET	SUPPORT DE LA CREMAILLIERE	1	\$74.69
311	4501203110	GEAR SHAFT	TIGE A ENGRENAGE	1	\$63.19
312	4501203120	SLIDING RACK	CREMAILLIERE COULISSANTE	1	\$166.75
313	4501203130	CAP SCREW	BOULON A TETE CYLINDRIQUE	2	\$2.13
314	4501203140	SPRING WASHER	RONDELLE A RESSORT	2	\$1.55
315	4501203150	WASHER	RONDELLE	2	\$1.67
316	4501203160	FENCE BRACKET	SUPPORT DU GUIDE	1	\$103.44
317	4501203170	WASHER	RONDELLE	2	\$1.67
318	4501203180	CAP SCREW	BOULON A TETE CYLINDRIQUE	2	\$2.13
319	4501203190	SPRING WASHER	RONDELLE A RESSORT	2	\$1.55
320	4501203200	CAP SCREW	BOULON A TETE CYLINDRIQUE	2	\$2.24
321	4501203210	SPRING WASHER	RONDELLE A RESSORT	2	\$1.78
322	4501203220	WASHER	RONDELLE	2	\$1.67
323	4501203230	GUARD	GARDE	1	\$16.04
324	4501203240	ROUND HD ALLEN SCREW	VIS A TETE RONDE ALLEN	2	\$2.01
325	4501203250	HEX. BOLT	BOULON HEXAGONAL	1	\$2.24
326	4501203260	HEX. NUT	ECROU HEXAGONAL	1	\$1.61

Pricing subject to change without prior notice. / Prix sujet à changement sans préavis.



Parts Pricing List / Liste de Prix des Pièces **KC-125FX(-5)**

Diag.	Order # Com.	English Description	Description Française	Qty./Qté.	Price/Prix
327	4501203270	REAR BRACKET FOR FENCE	SUPPORT ARRIERE DU GUIDE	1	\$45.94
327A	4501203271	STOP PLATE	PLAQUE D'ARRET	1	\$6.27
327B	4501203272	WASHER	RONDELLE	1	\$1.67
327C	4501203273	HEX. BOLT	BOULON HEXAGONAL	1	\$1.84
328	4501203280	LEFT BRACKET	SUPPORT GAUCHE	1	\$25.24
329	4501203290	SPRING PIN	GOUPILLE A RESSORT	1	\$1.78
330	4501203300	SPECIAL NUT	ECROU SPECIAL	1	\$3.39
331	4501203310	HEX. BOLT	BOULON HEXAGONAL	2	\$1.78
332	4501203320	HEX. NUT	ECROU HEXAGONAL	2	\$1.61
333	4501203330	PIN	GOUPILLE	6	\$9.14
334	4501203340	PIVOTING SUPPORT	SUPPORT DE PIVOTEMENT	1	\$10.29
335	4501203350	KNOB	BOUTON	1	\$6.27
336	4501203360	HANDLE ROD	TIGE DE LA POIGNEE	1	\$5.69
337	4501203370	HEX. NUT	ECROU HEXAGONAL	1	\$1.78
338	4501203380	FENCE	GUIDE	1	\$339.25
339	4501203390	RETAINING BRACKET	SUPPORT DE RETENU	2	\$21.79
340	4501203400	LOCK HANDLE	POIGNEE DE VERROUILLAGE	1	\$16.96
341	4501203410	WASHER	RONDELLE	1	\$2.13
342	4501203420	SHAFT	TIGE	1	\$17.19
343	4501203430	CAP SCREW	BOULON A TETE CYLINDRIQUE	4	\$1.96
344	4501203440	RIGHT BRACKET	SUPPORT DROIT	1	\$26.39
344A	4501203441	HEX. NUT	ECROU HEXAGONAL	1	\$1.61
344B	4501203442	HEX. BOLT	BOULON HEXAGONAL	1	\$1.96
345	4501203450	SET SCREW	VIS SANS TETE	2	\$1.61
346	4501203460	HEX. KEY (3MM)	CLE HEXAGONALE (3MM)	1	\$2.59
347	4501203470	HEX. KEY (4MM)	CLE HEXAGONALE (4MM)	1	\$2.70
348	4501203480	HEX. KEY (8MM)	CLE HEXAGONALE (8MM)	1	\$3.05
349	4501203490	HEX. KEY (10MM)	CLE HEXAGONALE (10MM)	1	\$3.28
350	4501203500	OPEN END WRENCH (10-12MM)	CLE OUVERTE (10-12MM)	1	\$4.43
351	4501203510	OPEN END WRENCH (12-14MM)	CLE OUVERTE (12-14MM)	1	\$4.54
352	4501203520	OPEN END WRENCH (17-19MM)	CLE OUVERTE (17-19MM)	1	\$4.89
353	K-1400	PUSH BLOCKS (SET OF 2)	BLOCS POUSSOIR (JEU DE 2)	1	-
354	4501203540	LONG "T" HEX. KEY (4MM)	CLE HEXAGONALE EN "T" (4MM)	1	\$9.14
355	4501203550	SPECIAL ADJUSTING WRENCH	CLE D'AJUSTEMENT SPECIALE	1	\$6.84
360	4501253600	SPIRAL CUTTERHEAD	TETE DE COUPE EN SPIRALE	1	\$1,259.25
361	KW-093	CUTTER INSERT KIT (10 PC)	INSERTION DES COUTEAUX (10 MCX)	1	-
362	4501253620	"TORX" COUNTERSUNK HD SCREW	VIS A TETE FRAISEE "TORX"	60	\$2.01
363	4501253630	"TORX" SCREWDRIVER TIP	EMBOU "TORX"	1	\$2.13
	450125MBIL	BILINGUAL MANUAL KC-125FX	MANUEL BILINGUE KC-125FX	1	\$15.00